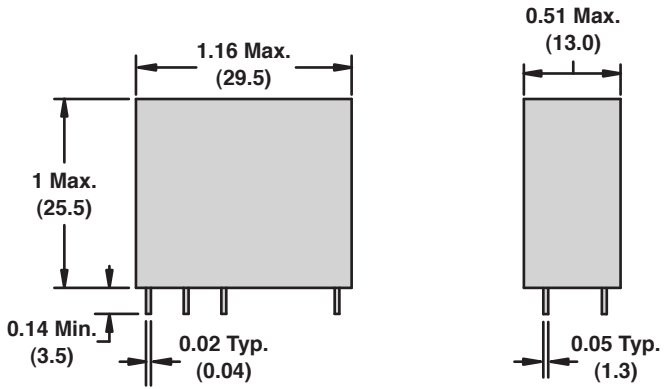
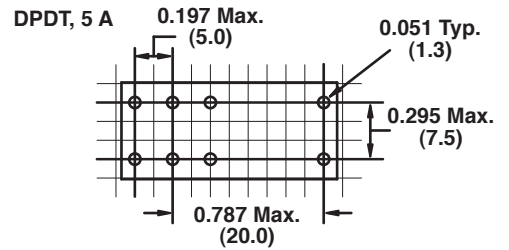
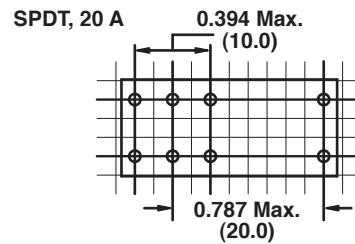
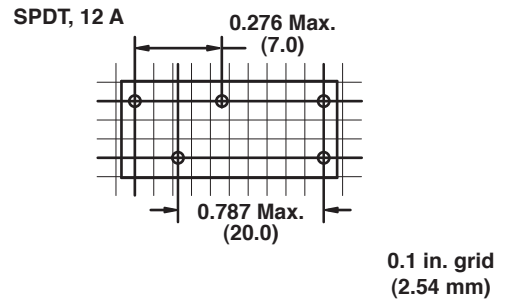


Dimensions: Inches (Millimeters)



Circuit board pin spacing  
viewed from component side



Wiring Diagrams

